

ROAD ANGELTM

HALO PLAY, ULTIMA AND GUARDIAN DUAL

Halo Play Dual



Halo Ultima Dual



Halo Guardian Dual



USER MANUAL

Contents

Front Cover.....	1
Contents Page.....	2
Welcome	3
Introduction	3
PSTI Compliance.....	3
Product Overview	3
Model Comparison & Key Differences.....	3
App Download.....	4
Warranty Registration.....	4
Product Appearance & Controls.....	5-6
Dashcam Anatomy & Operation	6
Buttons & Ports	6
LED Indicators.....	7
Key Features	7-8
Package Contents.....	8
Installation Instructions	8-11
Initial Setup	12
Firmware Updates.....	13
Recording Modes.....	13
Playback & Video Management.....	14
Advanced Features & Settings.....	14
Maintenance & Troubleshooting.....	15
Warranty & Support.....	15
Safety Information	15
Additional Notes.....	16
Specifications	16
Frequently Asked Questions	17-18

Welcome

Welcome to the Road Angel family. Thank you for purchasing the Road Angel Halo Play Dual, Halo Ultima Dual, or Halo Guardian Dual dash camera. This manual will guide you through installation, setup, and operation.

Introduction

The Halo dash cam range is designed to enhance safety and provide dependable front and rear video recordings on every journey. Compact yet powerful, these devices support confident driving.

PSTI Compliance

In line with UK Product Security and Telecommunications Infrastructure (PSTI) regulations, all dash cameras must use secure, individualised passwords. This is enforced via the Halo Playback App.

Product overview

Halo Play Dual, Halo Ultima Dual, and Halo Guardian Dual provide loop recording, GPS tracking, parking protection, and app-based control. Screen availability, voice control, and front-camera resolution vary by model.

Model Comparison & Key Differences

	Halo Play Dual:	Halo Ultima Dual:	Halo Guardian Dual:
Front Camera	4K (2160p)	4K (2160p)	2K (1440p)
Rear Camera	1080p	1080p	1080p
Screen	3.2" LCD Screen with physical controls	No Screen or physical operational buttons	3.2" LCD Screen and voice commands
Settings	Full on-device menus	App-controlled via Halo Playback App	Full on-device menus

Download the "Halo Playback" Smartphone App

Please scan the QR code with a compatible smartphone camera to go to the relevant location for download.



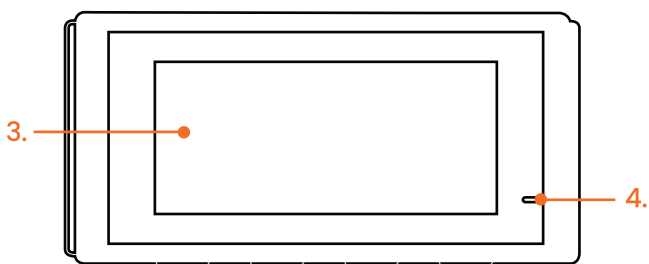
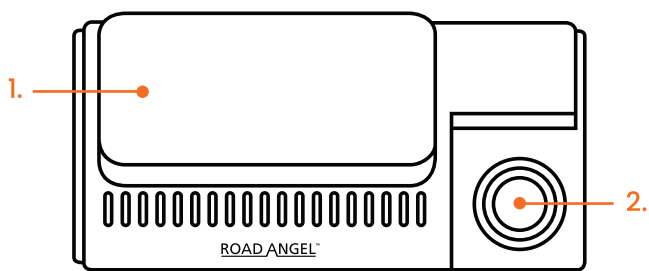
Registering your 3-year industry-leading warranty

Please scan the QR code with a compatible smartphone camera to go to the relevant location for download.



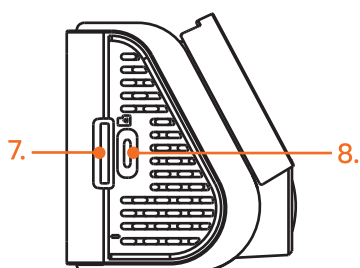
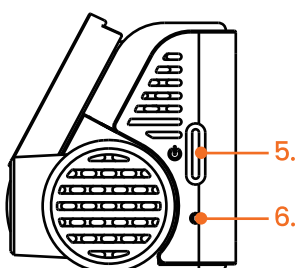
Please use the "Road angel" app, create an account, record your login details and add your device for warranty registration to your in-app account.

Product appearance¹



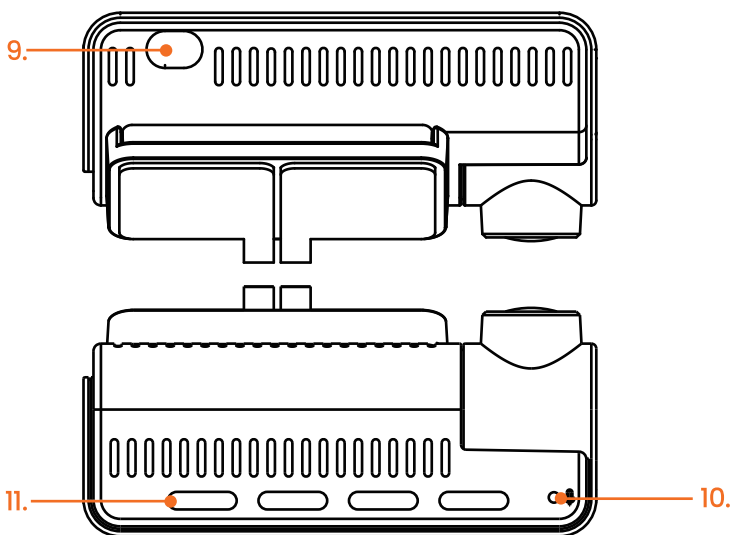
1. Front Camera Mounting Point.
2. Camera.

3. Screen / Blanking plate.
4. Indicator Light – LED.



5. Power Button.
6. Pin Reset Button.

7. SD Card Slot.
8. USB-C Power Port.

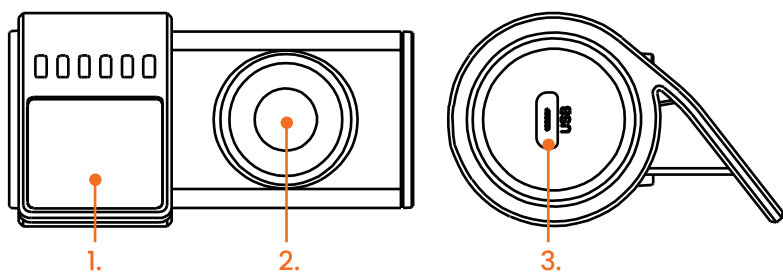


9. Rear Camera Power Port .

10. Mic.

11. Function Button(s) (Halo Play & Guardian Dual only).

Product appearance²



1. Bracket / Mounting Point .
2. Halo RC100 1080p Rear Camera.
3. USB Power Port.

Dashcam Anatomy & Operation

1. **Power Button:** Powers the camera on/off.
2. **Reset Button:** Resets the camera to factory settings.
3. **Rear Camera Port:** Connects the rear camera.
4. **3.2" LCD Screen:** Displays live footage, menus, and settings.
5. **Indicator Lights:** Show camera status (e.g., recording, charging).
6. **Microphone:** Captures optional audio along with video footage.
7. **Function Buttons:** Navigate the menu and control camera features.
8. **Micro SD Card Slot:** Supports Class 10 U3 Micro SD cards up to 256GB.
9. **USB Port:** For power input only.

*Points 4 & 7 are NOT applicable to Halo Ultima Dual.

**The Halo Playback smartphone app is used for settings & Footage download/ playback.

Buttons and Ports

Operation	Function
Click the power button once	Toggle Wi-Fi on or off
Click the power button 3 times	Format Micro SD card
Click the power button 5 times	Restore factory default settings
Press & hold the power button for 10 seconds	Power down the Dashcam

LED Indicators

Status	Function
Solid Green	Recording in normal mode
Solid Blue	Not recording
Solid Red	Abnormal recording/No SD card/ Formatting issue
Flasing Green	Recording an emergency event
Flashing Blue	Processing tasks (SD Card Formatting)

Key Features¹

Halo Play Dual:

- 1. 2160p 4K Ultra HD Front Camera:** Captures crystal-clear video for the front view.
- 2. 1080p Internal-mounted rear camera with a 120° wide-angle view and adjustable positioning.**
- 3. 3.2" LCD Screen:** Provides easy operation, playback, and setup with automatic timeout to prevent distractions.
- 4. ADAS (Advanced Driver Assistance Systems):** Includes Lane Departure Warning and Forward Collision Alerts.
- 5. 24/7 True 2-Tier Parking Mode:** Offers constant surveillance with two options: time-lapse recording and collision-triggered recording*.
- 6. Winter Mode:** Ensures reliable performance in cold weather by preventing lens obstructions from ice or snow.*
- 7. Built-in GPS:** Tracks your journey, including locations and speeds, for detailed playback and analysis.
- 8. Voice Commands:** Operate the camera hands-free using simple voice commands in English or French.
- 9. HD Night Vision:** Maximises light intake for superior low-light footage.
- 10. Battery Voltage Monitoring:** Prevents battery drain with an intelligent cut-off mechanism*.
- 11. Auto Image Stabilisation:** Reduces blurring and improves video quality, even on rough roads.
- 12. Quick-Release Mounting System:** Allows easy removal and reinstallation between vehicles.

*Hardwiring Kit required and sold separately.

Key Features²

Feature Differences: Halo Ultima Dual

This dashcam shares the same core performance and recording technology as the Halo Play Dual, featuring a streamlined design operated entirely through the Halo Playback App without a 3.2" screen.

Feature Differences: Halo Guardian Dual

This dashcam delivers the same advanced features and performance as the Halo Play Dual, with optimised 2K (1440p) front recording for efficient storage and smooth, high-quality footage.

Package Contents

Halo Play Dual & Halo Ultima Dual & Halo Guardian Dual:

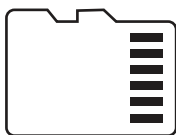
- **Dash Camera x 1.**
- **1080p Internal-Mounted Halo RC100 Rear Camera x 1.**
- **Quick-Release Windscreen Mount.**
- **12v/24v USB Power Adapter x 1.**
- **3.5m Front USB Cable x 1.**
- **7m Front to Rear Camera Cable x 1.**
- **Front & Rear Spare Sticky Pads x 1.**
- **Front & Rear Electrostatic Stickers x 1.**
- **Trim Tool.**
- **Quick Start Guide x 1.**

*Hardwire Kit Not Included .

Installation Instructions¹

1. Inserting the Micro SD Card

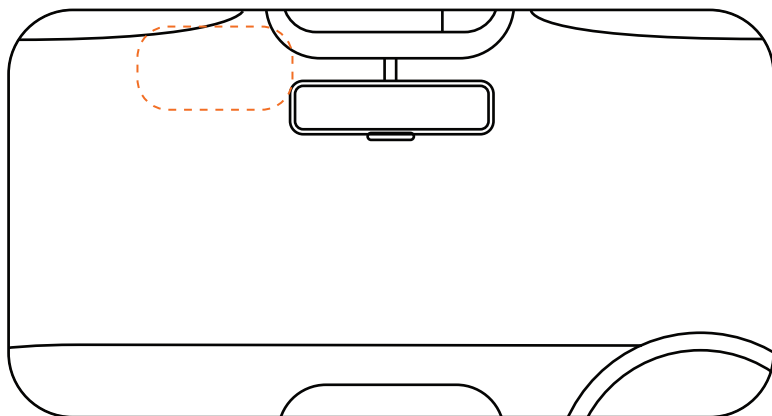
- **Card Requirements:** Use a high-endurance Class 10 U3 Micro SD card (16GB–256GB) optimised for continuous video recording. Please ensure the SD Card size is suitable for Dashcam's resolution.



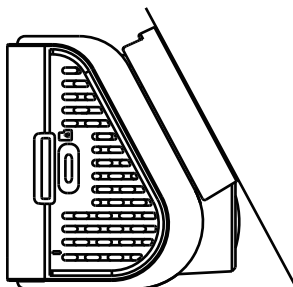
- **Steps:** Insert the card into the spring-loaded slot until you hear a click, ensuring it's securely seated.

Installation Instructions²

2. Applying the Electrostatic Sticker



- **Choosing the right location:** ensure you choose the optimal location, giving your dashcam the best field of view, and ensure there is nothing that blocks the view. You may use the screen on the Halo if it has one, or the Halo Playback smartphone app to view the camera in live preview if there is no screen, to adjust the mounting location before securing the adhesive pad on the dash cam mount to the windshield. Please bear in mind that to use the quick-release mount, you must leave enough clearance for mounting and unmounting the dash cam.

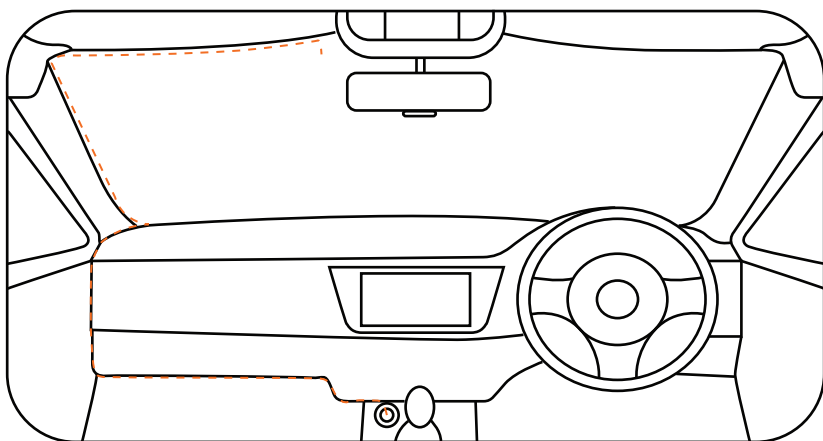


- **Preparation:** Clean the area on the windshield where the camera will be mounted, ensuring it's smooth and free of debris or any contaminants on the glass. An alcohol-based cleaner is recommended for use and should be thoroughly dried before application.
- **Application:** Place the electrostatic sticker in the desired location, ensuring no air bubbles are present.
- **3. Mounting the Dash Camera**
 - **Step 1:** Remove the protective film from the 3M tape on the bracket.
 - **Step 2:** Attach the camera to the electrostatic sticker on the windshield.
 - **Step 3:** Adjust the camera angle for optimal front and rear coverage.

Installation Instructions³

4. Connecting the Power Supply

- **Option 1: Cigarette Lighter Socket:** Route the power cable along the windshield, down the A-pillar, and into the cigarette lighter socket.
- **Option 2: *Hardwiring Kit (Sold separately):** Use the HWK5VC-OBD or HWK5VUSBC hardwiring kit for continuous power and enhanced 2-tier parking mode functionality. The kit includes voltage cut-off protection to prevent battery drain on the vehicle. We recommend speaking with a professional installer to ensure it is wired correctly or using the HWK. guide if you wish to hardwire yourself.

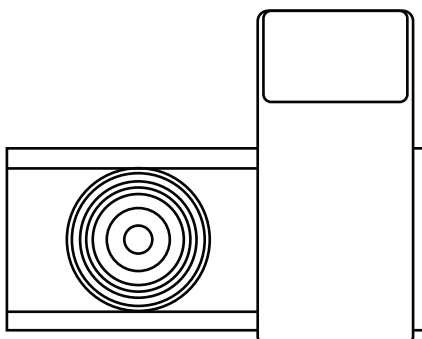


5. Installation Safety

- Ensure the dash cam does not obstruct the driver's view.
- Mount securely to avoid failure in case of sudden stops or impacts.

6. Installing the Rear Camera

- **Positioning:** Please ensure you get the orientation of the camera correct. When looking into the vehicle from the rear windscreen, the camera lens should be on the left. Mount the rear camera on the rear windshield or within the vehicle for an internal view, using the sticky pad. Ensure you use the Electrostatic sticker before mounting the rear camera.



- **Connection:** Plug the rear camera cable into the designated port on the main dash camera unit and route the 7m cable across the top of the windscreen, down the A-pillar, across the car trims and back up toward the rear windscreen. You may also feed the front-to-rear cable through the roof liner to the rear, if you wish. Bear in mind that DAB interference might occur. You may use an additional ferrite core to rectify.
- **Adjustment:** The rear camera is adjustable for capturing a 120-degree wide-angle view of the rear surroundings.
- **Final Adjustments to front and or rear Camera Lens Angle:** Power on the dash camera and use the display screen or Halo Playback smartphone app to adjust the vertical angle of the lens for optimal field of view coverage.

Initial Setup

Powering On

- Ensure the Dash cam is plugged into a correct power source. Press the power button or turn on your vehicle's power feed to activate the dash cam.

Wi-Fi Setup & Halo App Connection

- Connect your smartphone to the dash cam's Wi-Fi hotspot.
- Open the Halo Playback app to manage settings, footage, and more.
- Default Wi-Fi password: 1234567890.

First-Time Configuration

- Language Selection: Navigate to settings and choose your preferred language.
- Date & Time: Set the correct date and time to ensure accurate time stamping in recordings.
- Password Management: For security, change your default Wi-Fi password to a unique one after connecting.

PSTI Compliance Update

- In line with the UK Product Security and Telecommunications Infrastructure (PSTI) Regulation, all dash cams must now use unique, secure passwords by law. We've updated the Halo App(s) to comply with this important regulation.

Resetting & Updating Your Password

If you need to reset your device and set a new password:

- Press the power button five times quickly and in sequence to restore the dashcam to factory settings.
- Reconnect using the default password: 1234567890.
- You'll be prompted to set a new password.

Password Requirements

- 8–12 characters.
- Letters and numbers only
- Only the first letter should be capitalised (e.g., Password123).
- No special characters are required (e.g., @, #, etc.).
- After updating your password, the Wi-Fi may temporarily disconnect. Reconnect to the Halo Wi-Fi using your new password.
- Important: Don't lose your new password — this is essential for accessing your dash cam securely via the Halo Playback App.

Firmware Updates

Check for firmware updates via the Halo Playback App to ensure your Halo dash cam has the latest features, security patches, and optimal performance. And update will only be performed if available.

Recording Modes

On first use, It is recommended that you set a recording preference for parking mode if your Halo is hardwired.

With the Halo's innovative Parking Mode (hardwiring kit required), your vehicle remains safeguarded even when you're away or parked. Simply turn off your ignition, and the Halo seamlessly transitions into Parking Mode, offering either time-lapse recording or a standby dormant option to conserve power. Rest easy knowing your vehicle is under continuous surveillance, providing peace of mind wherever you go.

Normal Recording:

- Automatically starts when the camera is powered on. The flashing red dot indicates active recording.
- **Emergency Recording:** Triggered by the adjustable sensitivity G-sensor during sudden impacts or manually via the function button. These files are stored separately to prevent overwriting.

Parking Mode:

- **Collision Monitoring:** Activates upon detecting physical movement or impact, recording 10 seconds before and after the event.

Time-lapse Video Mode:

- Records at a reduced frame rate (1 FPS) to save storage while still capturing essential events. As the footage is compressed, this uses less memory.

It is advised to use only Parking Mode OR time-lapse. **Do not have both turned on.**

Playback & Video Management

- **Accessing Footage:** Use the Halo Playback App or the camera's screen if you have a screen model to review recordings.
- **Deleting Files:** Delete unwanted videos directly from the camera or via the app. All unused footage will automatically be overwritten as part of the looped recording.
- **Exporting Videos:** Transfer important footage to your phone or computer for safekeeping and sharing directly via email, WhatsApp, or social media.

Advanced Features & Settings

1. Video Settings:

- **Resolution:** This is automatically set at Halo's optimal specification.
- **Loop Recording Duration:** Set the length of each video clip (e.g., 1, 3, 5 minutes).
- **G-Sensor Sensitivity:** Adjust your preference for the sensitivity for triggering emergency recordings.

2. System Settings:

- **Wi-Fi Hotspot:** Manage Wi-Fi settings, including changing the hotspot password.
- **Volume Control:** Adjust the audio prompts' volume output.
- **Screen Timeout:** Set the duration before the screen automatically turns off to minimise distractions. (Halo Play Dual & Halo Guardian Dual only) .
- **Firmware Updates:** Check for updates via the Halo Playback App to ensure your dash camera is running with the latest software, updates are only possible when your Halo is not on the latest firmware.

3. Winter Mode

- **Activation:** Automatically engages when temperatures drop to freezing temperatures to prevent lens obstruction from ice or snow, ensuring clear footage in all weather conditions. This is only available in Time-lapse recording mode and requires the HWK5VC-OBD Or HWK5VUSBC hardwire kit (sold separately).

4. Voice Commands

- **Supported Commands:** Operate the dash camera hands-free with simple voice commands like "Take Photo," "Lock Video," "Turn on Audio," and "Turn Off Audio." Currently supports English and French.

Maintenance & Troubleshooting

1. General Maintenance

- **Cleaning:** Regularly clean the camera lens and the windshield for clear recordings.
- **SD Card Care:** Format the SD card periodically and replace it if recording performance degrades. Use a Class 10 U3 Automotive Grade SD Card.

2. Troubleshooting

- **Camera Not Powering On:** Check power connections, ensure the car's ignition is on, or try resetting the camera.
- **Recording Issues:** Ensure the compatible SD card is correctly inserted, properly formatted, and has sufficient storage space.
- **App Connection Problems:** Restart the camera and shut down the Halo Playback app and reconnect to the Wi-Fi hotspot. Temporarily turn off mobile data on your smartphone to avoid connectivity interruptions. Ensure Apple Car Play or Android Auto is not connected at the same time, infotainment system should be turned off to avoid connection interference.

Warranty & Support

- **Warranty Period:** 3 years from the date of purchase, covering full EU/UK warranty and repair services. Postage and other charges, such as Duties and taxes, are not included for any shipping to or from outside the UK.
- **Customer Support:** For assistance, visit our website, contact our dedicated support team via phone or email, or explore our comprehensive online resources such as Live chat and our support centre.

Safety Information

- **Installation Precautions:** Ensure the camera does not obstruct your view or interfere with vehicle operations, such as airbags.
- **Operating Temperature:** Use the device within the specified temperature range (-20°C to 65°C). Avoid exposing the dash cam to extreme temperatures.
- **Handling and Storage:** Avoid exposing the camera to strong magnetic fields or harsh environments.
- **Read all instructions before using the dash cam.**
- **Do not disassemble the device. This will void all warranties.**
- **Use only the provided charger and official accessories.**

Additional Notes

- **Legal Compliance:** Ensure that the installation and use of this dash camera comply with local laws and regulations regarding in-car video recording.
- **Data Privacy:** Be aware of privacy concerns when recording video, especially in public or shared spaces.

Specifications

- **Front Camera:** 2160p (4K Halo Play Dual & Halo Ultima Dual) Ultra HD or 1440p (2K – Halo Guardian Dual) Quad HD, adjustable angle.
- **Rear Camera:** 1080p Full HD, adjustable angle.
- **3.2" LCD Screen (Halo Play Dual & Halo Guardian Dual) or Blanking Plate (Halo Ultima Dual).**
- **Viewing Angle:** 140° wide-angle lens & rear 120° wide-angle lens.
- **Storage:** Supports up to 256GB Class 10 U3 Micro SD Card.
- **In-Built GPS**
- **Voice Commands:** Supported in English and French .
- **Wi-Fi:** 2.4GHz Built-in for app connectivity.
- **Battery Voltage Monitoring:** Included with intelligent power cut-off *Hardwire Kit Required.
- **G-Sensor:** Adjustable sensitivity for impact detection.
- **Input:** 5V / 2A.
- **Power Supply:** 12v/24v Car Charger or Hardwiring kit HWK5VC-OBD & HWK5VUSBC.
- **Dust proof Rating:** IPX2.
- **Operating Temperature:** -20°C to +65°C.

FAQ's

- **Q1. Does this camera come with an SD card?**
No, the SD card is not included. We recommend purchasing a high-endurance, automotive-grade SD card from Road Angel.
- **Q2. What is the maximum SD card capacity?**
The Halo Dashcam supports up to 256GB. Ensure you use a Class 10 U3 Micro SD card.
- **Q3. How do I pair my Dashcam with the app?**
Follow the Quick Start Guide and scan the QR code to download the "Halo Playback App." Connect to the dash cam's hotspot using the default password displayed on the app. You can then access the settings and footage. You can also change the password for extra security.
- **Q4. Can I change the language on the Dashcam?**
Yes, the app offers 16 language options. The Halo Play Dual and Halo Guardian Dual's on-screen display supports English, German, French, Polish, and Dutch.
- **Q5. What is the warranty period?**
All Road Angel Dashcams come with an industry-leading 3-year warranty. You will need to register your warranty using the "Road Angel" App. This is not the app to use for playback/settings/footage download.

Operation & Settings

- **Q6. Do I need a hardwiring kit?**
Yes, if you want to use the 2-tier parking mode functionality. You'll need the HWK5VC-OBD or HWK5VUSBC hardwiring kit from Road Angel (sold separately).
- **Q7. Do I need to keep my smartphone connected to the Dashcam?**
No, you don't need to keep your phone connected. You only need to use your phone to download or view footage, or to change settings.
- **Q8. How can I restore factory settings on my Dashcam?**
You can restore factory settings through the Halo Playback App or by pressing the power button five times.
- **Q9. Can I format the SD card?**
Yes, you can format the SD card within the Halo Playback App under the settings.
- **Q10. How do I format the SD card?**
You can format the SD card by pressing the power button on the side five times or by following the on-screen prompt (Halo Play & Guardian model only).

Features & Functionality

- **Q11. Can the Dashcam drain my car battery?**

No need to worry. If you plug it into the 12V socket, the dashcam only works when the ignition is on, so it won't drain your battery. If hardwired, the kit has a protection mechanism that cuts power if the car battery gets too low.

- **Q12. My dashcam won't go into parking mode. What should I do?**

Parking mode only works with the HWK5VC-OBD or HWK5VUSBC hardwiring kit (sold separately). In the Halo Playback app, you must select either "Parking Mode" or "Time Lapse," but both options must not be selected to avoid performance conflict. After 5-15 minutes of being stationary, the dashcam will enter parking mode.

- **Q13. Why doesn't the GPS map show up on my footage in the app?**

The map will only appear on footage that you download, provided there's a GPS signal lock when the footage was captured.

- **Q14. My rear camera footage is mirrored or backward. How do I fix this?**

Sorry about that! You may have fitted the rear camera in the wrong orientation. Please connect to the Halo Playback App and use the "Rear Camera Flip" option to correct it. You can also flip this by cropping the video and pressing the mirror button on your smartphone camera/playback settings.

Hardware

- **Q15. How long is the front-to-rear camera cable?**

The cable is 7 meters long, which should be sufficient for most vehicles.

- **Q16. Is a subscription required?**

No, there are no subscriptions required for all Pre 2026 Road Angel Dash cams.

- **Q17. How long is the main power cable?**

The front power cable is 3 meters long.